

# GENTEX

# GE3 SERIES

## Commander<sup>3</sup> Series Selectable Candela Evacuation Signals

### Applications

The Commander<sup>3</sup> Series is a low profile strobe or horn/strobe combination that offers dependable audible and visual alarms and the lowest current available.

The GE3 Series offers field selectable candela options of 15, 30, 60, 75, and 110 (24V only) candela .

The Commander<sup>3</sup> Series horns offer a new synchable chime and whoop tone and provide a selection of high or low dBA as well as a selection of a 2400 Hz (remote signaling) or a low frequency broad band 1500-3000Hz mechanical sounding (evacuation) tone where doors could be a problem.

The GE3 Series are easily field changeable from temporal 3 to a continuous tone by simply removing a jumper. The GEC3 is shipped from

the factory on the temporal lower frequency mode and it comes standard with a rugged cast metal mounting plate.

The Commander<sup>3</sup> has a minimal operation current and has a minimum flash rate of 1Hz regardless of input voltage.

The Commander<sup>3</sup> Series comes standard with the 4" mounting plate which incorporates the popular "Superslide™" feature that allows you to easily test for supervision. Also included is a locking mechanism which secures the product to the bracket without any screws showing.

The Commander<sup>3</sup> (GE3 Series) appliances are UL 464 and UL 1971, listed for use with fire protective systems and are warranted for three years from date of purchase.

**Now Available  
in 12 Volt**



GES3

GEC3

### Standard Features

- Field selectable candela options of 15, 30, 60, 75, and 110 candela
- Available in 12V or 24V
- Prewire Entire System, Then Install Your Signals
- Ease of Supervision Testing (Super Slide™)
- Lower Installation and Operating Costs
- Input Terminals 12 to 18 AWG
- Switch Selection for High or Low dBA
- Switch Selection for High or Low Frequency (1500-3000 Hz)
- Switch for Temporal 3, Chime, or Whoop Tones
- Tamperproof Re-entrant Grill
- Surface Mount with the GSB (Gentex Surface Mount Box)
- Synchronize Strobe and/or Horn by Using the AVS-44 Control Module (24V only)
- Silence Horn While Strobes Remain Flashing
- Rugged Die Cast Metal Mounting Bracket
- True Evacuation Tone
- Wide Voltage Range 8-17VDC (12VDC models) 16-33 VDC or FWR (24V models)
- Separate Horn and Strobe Functions
- Available in Red or Off-White

### Approvals



- Americans with Disabilities Act (ADA 4.28.3)
- BFP (City of Chicago)
- BS+A/MEA #285-91-E
- CSFM 7135-0569:122 (GEC3)  
7125-0569:123 (GES3)
- NFPA 72
- UL ULC Dual Listed 464, 1971

## GES3 12 or 24V Selectable Candela Low Profile Evacuation Strobe Wall Mount

Model Number	Part Number	Nominal Voltage	Candela (UL 1971)	Operating Current
GES3-12WR	904-1235-002	12 VDC	15, 30, 60, 75	106mA
GES3-12WW	904-1237-002	12 VDC	15, 30, 60, 75	131mA
GES3-12PWR	904-1236-002	12 VDC	15, 30, 60, 75	186mA
GES3-12PWW	904-1238-002	12 VDC	15, 30, 60, 75	237mA
GES3-24WR	904-1321-002	24 V	15, 30, 60, 75, 110	55mA
GES3-24WW	904-1319-002	24 V	15, 30, 60, 75, 110	63mA
GES3-24PWR	904-1322-002	24 V	15, 30, 60, 75, 110	88mA
GES3-24PWW	904-1320-002	24 V	15, 30, 60, 75, 110	112mA

## GEC3 12 or 24V Selectable Candela Low Profile Evacuation Horn/Strobe Wall

Model Number	Part Number	Nominal Voltage	Candela (UL 1971)	dBA @ 10 Ft.
GEC3-12WR	904-1231-002	12 VDC	15, 30, 60, 75	100
GEC3-12WW	904-1233-002	12 VDC	15, 30, 60, 75	100
GEC3-12PWR	904-1232-002	12 VDC	15, 30, 60, 75	100
GEC3-12PWW	904-1234-002	12 VDC	15, 30, 60, 75	100
GEC3-24WR	904-1317-002	24 V	15, 30, 60, 75, 110	100
GEC3-24WW	904-1315-002	24 V	15, 30, 60, 75, 110	100
GEC3-24PWR	904-1318-002	24 V	15, 30, 60, 75, 110	100
GEC3-24PWW	904-1316-002	24 V	15, 30, 60, 75, 110	100

### Notes:

The GE3 Series is not listed for outdoor use. Operating temperature: 32°to 120°F (0° to 49° C)

For nominal and peak current across UL regulated voltage range for filtered DC power and unfiltered (FWR [Full Wave Rectified]) power, see installation manual. 12 Volt models are DC only.

### Model designations:

"W" = Wall Mount

"R" = Red Faceplate

"W" = Off-White Faceplate

"P" = Plain (no lettering) Available with all models. These units are non-returnable.

"Agent" bezel also available.

### 12 VDC

HORN RATINGS OVER INPUT VOLTAGE RANGE OF 8-17.5V												
Horn Mode	dBA @ 10Ft. Per UL464 (HIGH)			dBA @ 10Ft. Per UL464 (LOW)			DC(mA) @ LOW Setting			DC(mA) @ HIGH Setting		
	8v	12v	17.5v	8v	12v	17.5v	8v	12v	17.5v	8v	12v	17.5v
Temp 3 2400Hz	76	78	81	69*	73	76	10	16	21	16	22	29
Temp 3 Mechanical	75	78	80	68*	72*	75	10	14	20	14	20	26
Temp 3 Chime	62*	63*	64*	60*	62*	63*	7	9	12	8	10	13
Continuous 2400Hz	79	82	84	74*	76	79	10	16	21	16	22	29
Continuous Mechanical	78	81	83	72*	75	79	10	14	20	14	20	26
Continuous Chime	63*	64*	65*	61*	63*	64*	7	9	12	8	10	13
Whoop	78	79	80	71*	74*	77	20	29	41	45	52	55

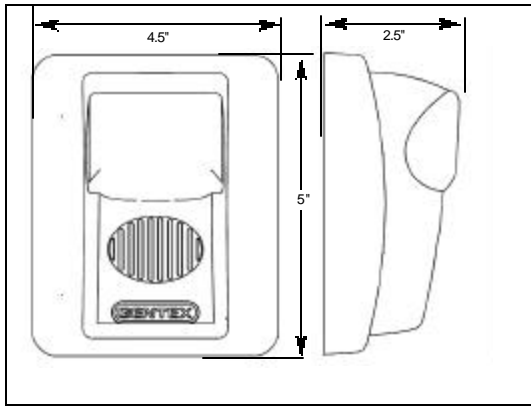
### 24 V

HORN RATINGS OVER INPUT VOLTAGE RANGE OF 16-33V												
Horn Mode	dBA @ 10Ft. Per UL464 HIGH dB			dBA @ 10Ft. Per UL464 LOW dB			DC(mA)			FWR(mA)		
	16v	24v	33v	16v	24v	33v	16v	24v	33v	16v	24v	33v
Temp 3 2400Hz	78	83	84	71*	75	77	13	19	24	27	37	43
Temp 3 Mechanical	76	81	82	70*	73*	76	11	16	22	23	33	40
Temp 3 Chime	70*	71*	71*	66*	68*	70*	9	12	15	19	24	29
Continuous 2400Hz	81	86	87	74*	78	80	14	21	28	21	42	48
Continuous Mechanical	80	84	85	72*	76	78	13	18	25	27	37	44
Continuous Chime	70*	71*	73*	66*	68*	70*	10	12	15	19	24	30
Whoop	82	83	83	69*	72*	75	43	51	56	51	58	62

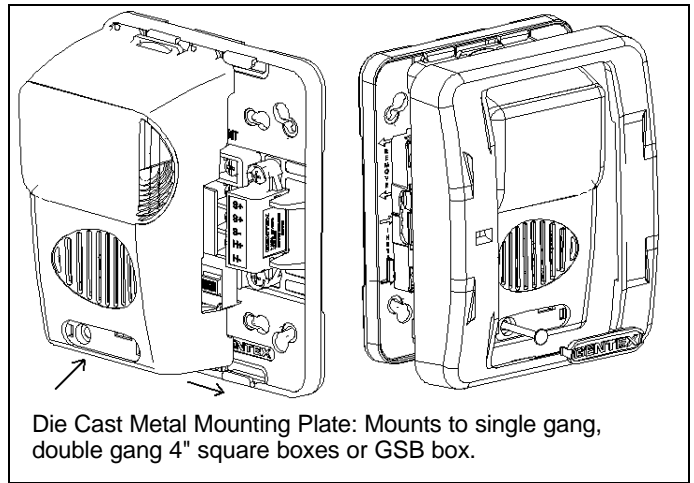
\*Operating the horn in this mode at this voltage will result in not meeting the minimum UL reverberant sound level required for public mode fire protection service. These settings are acceptable only for private mode fire alarm use. Use the high dBA setting for public mode application (not applicable when using the chime tone. The chime tone is always private mode).

**Notes:** The sound output for the temporal 3 tone is rated lower since the time the horn is off is averaged into the sound output rating. While the horn is producing a tone in the temporal 3 mode its sound pressure is the same as the continuous mode.

## Dimensions

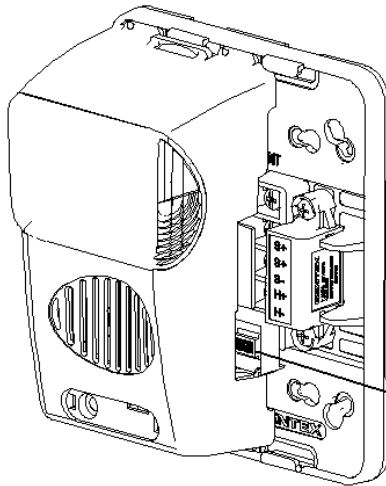


## Mounting Super Slide™



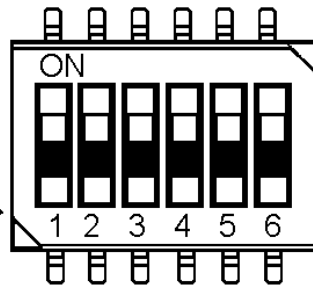
## Switch Locations

	SWITCH POSITION		
	3	4	5
Mechanical-Temp.	ON	ON	ON
Mechanical-Cont.	OFF	ON	ON
Hi-Temp.	ON	OFF	ON
Hi-Cont.	OFF	OFF	ON
Chime-Temp.	ON	ON	OFF
Chime-Cont.	OFF	ON	OFF
Whoop	ON	OFF	OFF
Whoop	OFF	OFF	OFF



**Switch Position 6**  
ON > HIGH dB  
OFF > LOW dB

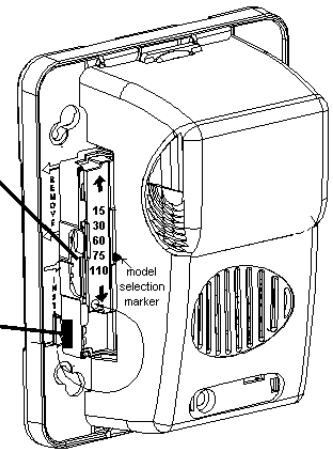
Switch positions 1 and 2 in the off position to select isolated horn and strobe power inputs.



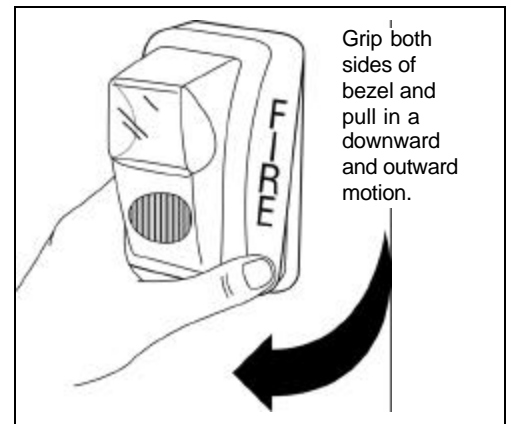
## Candela Selection

Candela selection slider switch. Depress center and slide switch to desired brightness level.

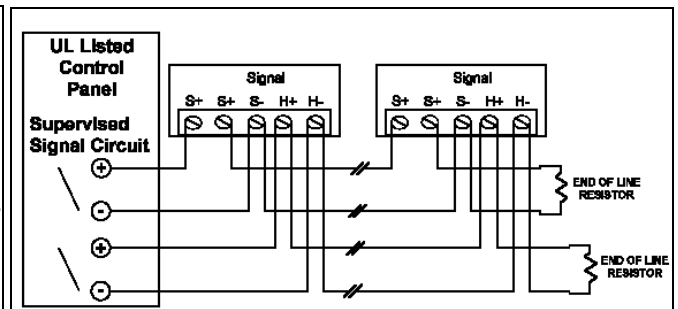
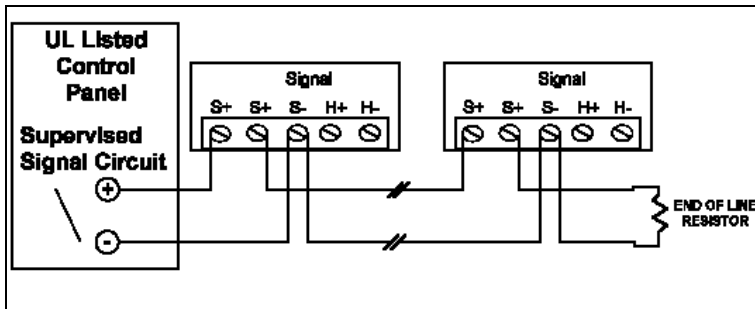
Break off pin and insert into hole at the bottom of the selector to lock candela setting. Signal must be removed from bracket and pin pushed forward from backside out of hole to change candela.



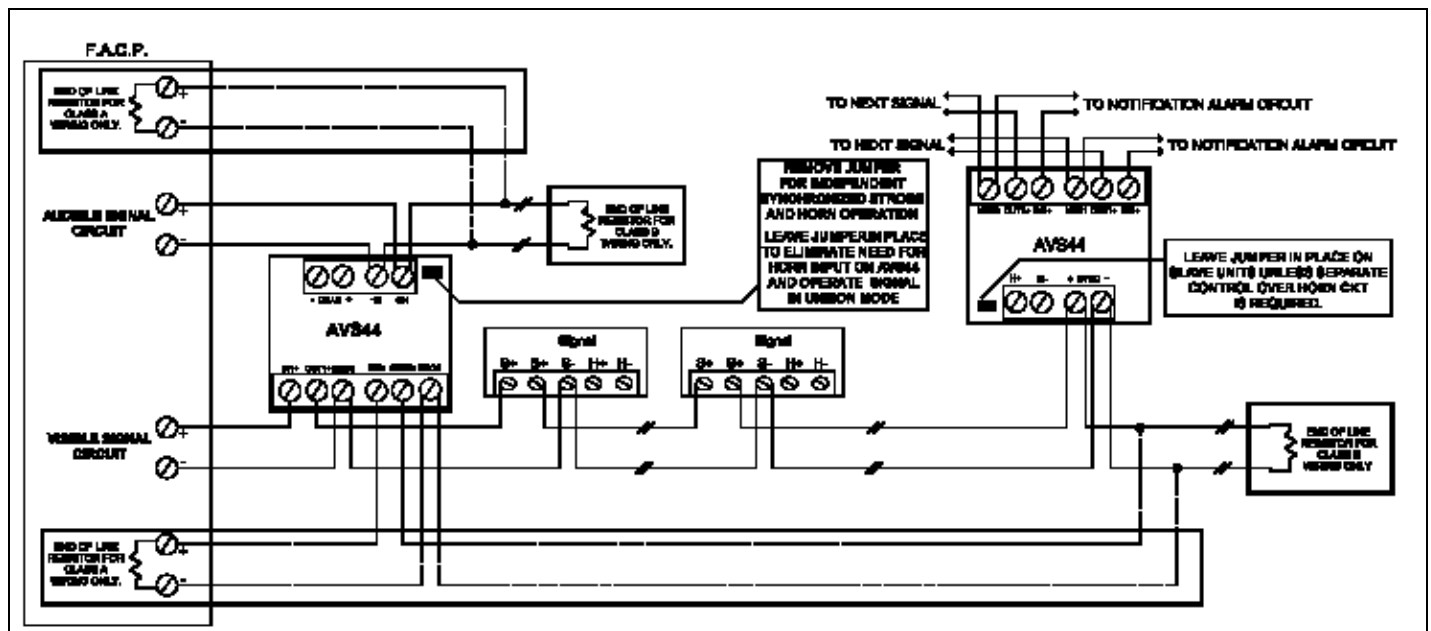
## Removing Bezel



## Conventional GES3/GEC3 Series Wiring Diagrams



## Wiring Diagram GE3 Series with AVS44 Synchronization Module



### Architect & Engineering Specifications:

The audible and/or visible signal shall be Gentex GE3 Series or approved equal and shall be listed by Underwriters Laboratories Inc. per UL 1971 and/or UL 464. The notification appliance shall also be listed with the California State Fire Marshall (CSFM) and the Bureau of Standards and Appeals (NYC).

The notification appliance (combination audible/visible) shall produce a peak sound output of 100dBA or greater at 12 or 24V as measured in an anechoic chamber. The signaling appliance shall also have the capability to silence the audible signal while leaving the visible signal energized with the use of a single pair of power wires. Additionally, the user shall be able to select either continuous or temporal tone output with the temporal signal having the ability to be synchronized.

Unit shall be capable of being installed so that any unauthorized attempt to change the candela setting will result in a trouble signal at the fire alarm control panel.

The audible/visible and visible signaling appliance shall also maintain a minimum flash rate of 1Hz or greater regardless of power input voltage. The appliance shall have an operating current of 55mA or less at 12 or 24 VDC for the 15Cd strobe circuit.

The appliance shall be polarized to allow for electrical supervision of the system wiring. The unit shall be provided with a mounting bracket with terminals with barriers for input/output wiring and be able to mount to a single gang or double gang box or double workbox without the use of an adapter plate. The unit shall have an input voltage range of 16-33 volts with either direct current or full wave rectified power.

The appliance shall be capable of testing supervision without disconnecting wires. Also the appliance shall be capable of mounting to a surface back box.

# GENTEX CORPORATION

Fire Protection Products: [www.gentex.com](http://www.gentex.com)  
10985 Chicago Dr., Box 310, Zeeland, MI 49464  
616/392-7195 1-800/436-8391 FAX: 616/392-4219

Gentex corporation reserves the right to make changes to the product data sheets at their discretion.

Printed on Recycled Paper

24 units per carton  
27 pounds per carton

GE30201-4