

# GENTEX

# GC SERIES

## Commander<sup>4</sup> Series Selectable Ceiling Mount Strobe and Horn Strobe

### Applications

The GCS/GCC Series is a ceiling mount strobe or horn/strobe combination that offers dependable audible and visual alarms and the lowest current available.

The GCS/GCC offers field selectable candela options of 15, 30, 75, 95, and 115 candela.

The models are easily field changeable from temporal 3 to a continuous tone by simply removing a jumper plug. The models are shipped from the factory in the temporal alarm mode.

The Commander<sup>2</sup> Series horns provide a selection of high or low dBA as well as a selection of a 2400 Hz (remote signaling) or a low

frequency broad band 1500-3000Hz mechanical sounding (evacuation) tone where doors could be a problem.

The GCS/GCC Series comes standard with the 4" mounting plate which incorporates the popular "Superslide™" feature that allows you to easily test for supervision.

The GCS/GCC Series has a minimal operating current and has a minimum flash rate of 1Hz regardless of input voltage.

Commander<sup>4</sup> Series appliances are UL 464/1971 listed for use with fire protective systems and are warranted for three years from the date of purchase.



**GCC24**

**GCS24**

### Standard Features

- Field selectable candela options of 15, 30, 75, 95 and 115 candela
- Prewire Entire System, Then Install Your Signals
- Ease of Supervision Testing (Super Slide™)
- Lower Installation and Operating Costs
- Input Terminals 12 to 18 AWG
- Switch Selection for High or Low dBA
- Switch Selection for High or Low Frequency (1500-3000 Hz)
- Tamperproof Re-entrant Grill
- Synchronize Strobe and/or Horn by Using the AVS-44 Control Module
- Silence Horn While Strobes Remain Flashing
- Rugged Die Cast Metal Mounting Bracket
- True Evacuation Tone
- Wide Voltage Range 16-33 VDC or FWR
- Separate Horn and Strobe Functions
- Available in Red or Off-White

### Approvals



- Americans with Disabilities Act (ADA 4.28.3)
- BFP (City of Chicago)
- BS+A/MEA #285-91-E - Pending
- CSFM 7135-0569:122  
7125-0569:123
- NFPA 72
- UL ULC Dual Listed 464, 1971

### GCS 24 VDC Ceiling Mount Selectable Strobe

Model Number	Gentex Part Number	Candela (UL 1971)
GCS24CR	904-1213-002	15, 30, 75, 95, 115
GCS24CW	904-1215-002	15, 30, 75, 95, 115
GCS24PCR	904-1214-002	15, 30, 75, 95, 115
GCS24PCW	904-1216-002	15, 30, 75, 95, 115

### GCC 24 VDC Ceiling Mount Selectable Horn/Strobe

Model Number	Gentex Part Number	Horn Current	Candela (UL 1971)	In Anechoic Room dBA @ 10 Ft
GCC24CR	904-1209-002	21mA	15, 30, 75, 95, 115	100
GCC24CW	904-1211-002	21mA	15, 30, 75, 95, 115	100
GCC24PCR	904-1210-002	21mA	15, 30, 75, 95, 115	100
GCC24PCW	904-1212-002	21mA	15, 30, 75, 95, 115	100

**Notes:**

The GC Series is not listed for outdoor use. Operating temperature: 32°to 120°F (0° to 49° C)

**Model designations:**

"C" = Ceiling Mount

"R" = Red Faceplate

"W" = Off-White Faceplate

"P" = Plain (no lettering) Available with all models. These units are non-returnable.

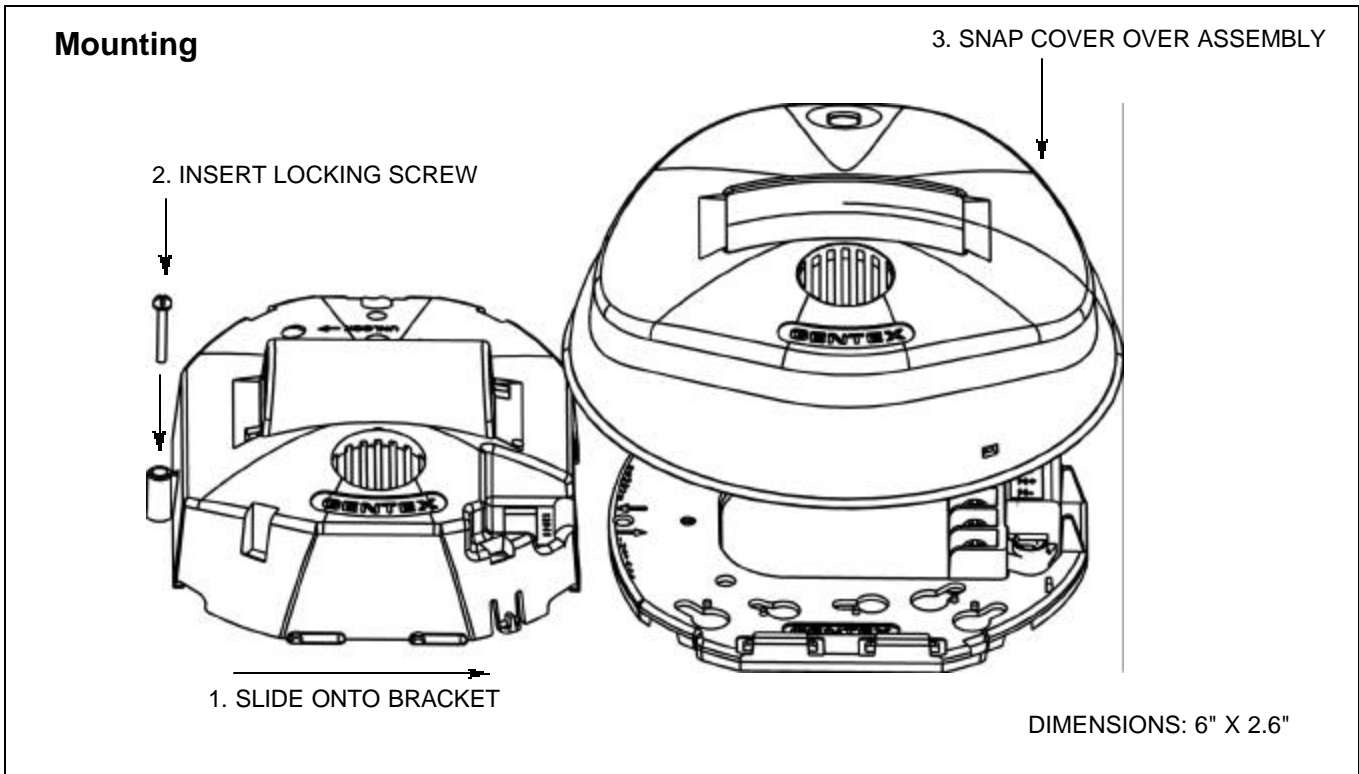
Candela	Operating Strobe Current @ 24VDC
15	72mA
30	88mA
75	176mA
95	200mA
115	214MA

	DBA @ 10 ft. per UL464 (High)			DBA @ 10 ft. per UL464 (Low)			DC (mA)		
	16v	24v	33v	16v	24v	33v	16v	24v	33v
Horn Mode	16v	24v	33v	16v	24v	33v	16v	24v	33v
Temp 3 2400Hz	78	83	84	71*	75	77	13	19	24
Temp 3 Mechanical	76	81	82	70*	73*	76	11	16	22
Continuous 2400Hz	81	86	87	74*	78	80	14	21	28
Continuous Mechanical	80	84	85	72*	76	78	13	18	25

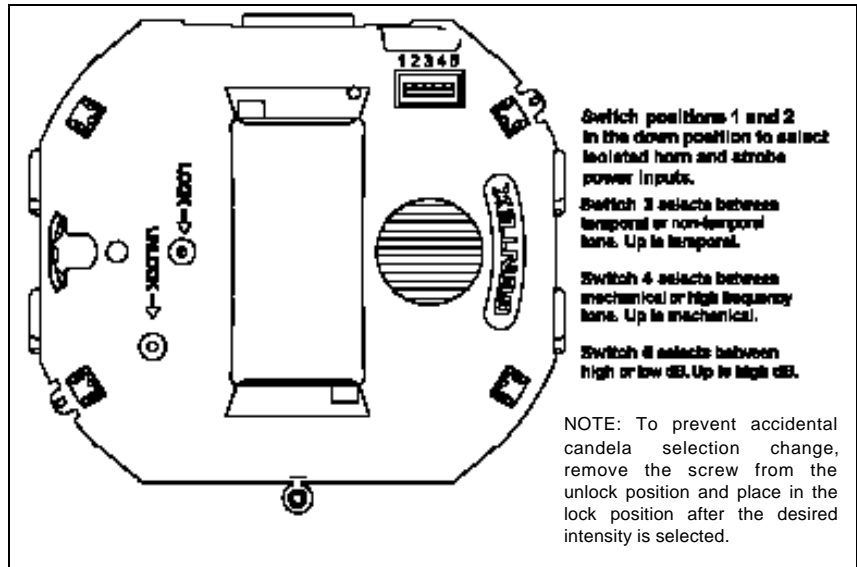
\*Operating the horn in this mode at this voltage will result in not meeting the minimum UL reverberant sound level required for public mode fire protection service. These settings are acceptable only for private mode fire alarm use. Use the high dBA setting for public mode application.

**Notes:** The sound output for the temporal 3 tone is rated lower since the time the horn is off is averaged into the sound output rating.

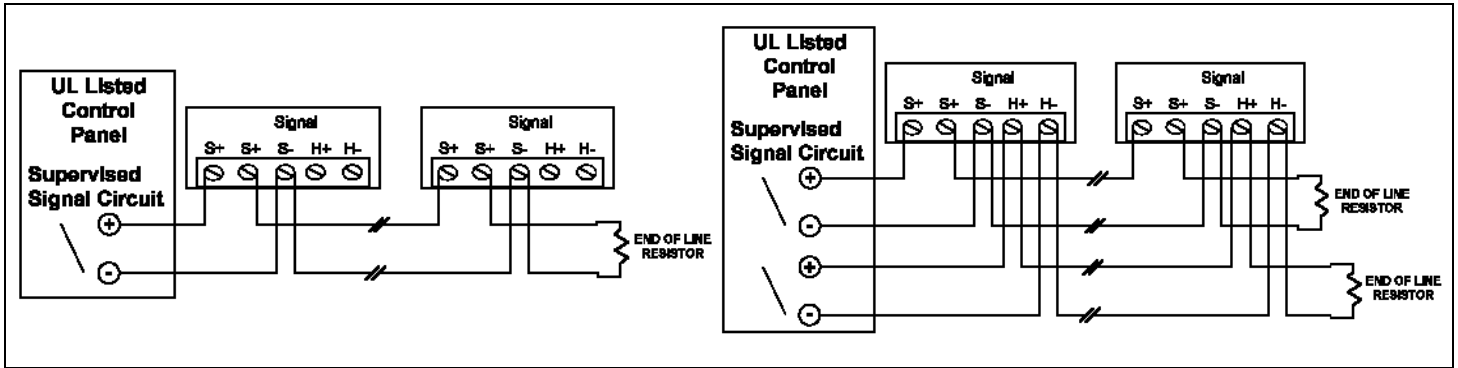
While the horn is producing a tone in the temporal 3 mode its sound pressure is the same as the continuous mode.



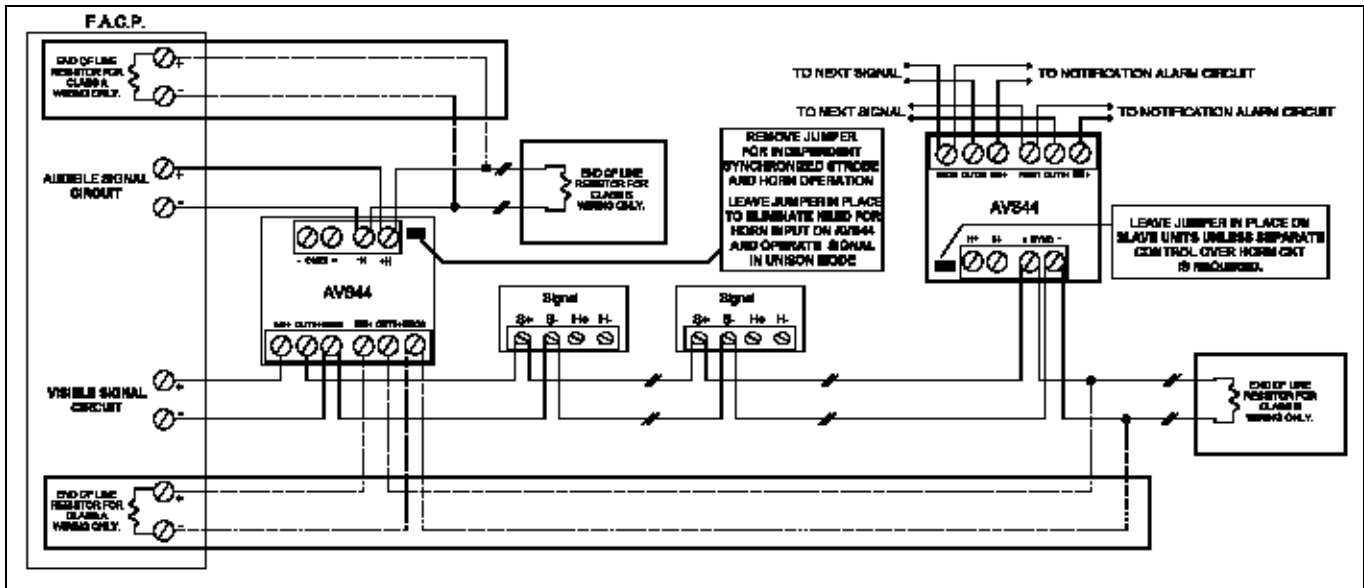
### Jumper Locations



## Conventional Wiring Diagrams GCS/GCC Series



## Wiring Diagram GCS/GCC Series Using the AVS44 Synchronization Module



### Architect & Engineering Specifications

The visible and audible/visible signal shall be Gentex model GCS or GCC or approved equal and shall be listed by Underwriters Laboratories Inc. per UL 1971 for the GCS and also UL 464 for the GCC. The notification appliance shall also be listed with the California State Fire Marshal (CSFM) and the Bureau of Standards and Appeals (NYC).

The notification appliance (combination audible/visible units only) shall produce a peak sound output of 90dBa or greater as measured in an anechoic chamber. The signaling appliance shall also have the capability to silence the audible signal while leaving the visible signal energized with the use of a single pair of power wires. Additionally, the user shall be able to select either continuous or temporal tone output with the temporal signal having the ability to be synchronized.

The visible signaling appliance shall also maintain a minimum flash rate of 1Hz or greater regardless of power input voltage. The appliance shall have an operating current of 73mA or less at 24 VDC for the 15 Cd.

The appliance shall be polarized to allow for electrical supervision of the system wiring. The unit shall be provided with terminals with barriers for input/output wiring and be able to mount to a single gang or double gang box or double workbox with the use of an adapter plate. The unit shall have an input voltage range of 16-33 volts with either direct current or full wave rectified power.

**GENTEX**  
CORPORATION

24 units per carton  
25 pounds per carton

Fire Protection Products: [www.gentex.com](http://www.gentex.com)

10985 Chicago Dr., Box 310, Zeeland, MI 49464

616/392-7195 1-800/436-8391 FAX: 616/392-4219

Gentex corporation reserves the right to make changes to the product data sheets at their discretion.



Printed on Recycled Paper

GC010102-2