

Commander² Series Low Frequency Evacuation Signals

Applications

The Commander² Series is a low profile Strobe, horn or horn/strobe combination that offers dependable audible and audible/visual alarms and the lowest current available.

The Commander² Series horns provide a selection of high or low dBA as well as a selection of a 2400 Hz (remote signaling) or a low frequency broad band 1500-3000Hz mechanical sounding (evacuation) tone where doors could be a problem.

The GE Series are easily field changeable from temporal 3 to a continuous tone by simply removing a jumper. The GEC is

shipped from the factory on the temporal lower frequency mode and it comes standard with a rugged cast metal mounting plate.

The Commander² has a minimal operation current and has a minimum flash rate of 1Hz regardless of input voltage.

Another first for the Commander² Series is the "Super Slide"™ to test supervision. Also included is a locking mechanism which secures the product to the bracket without any screws showing

The Commander² (GE Series) appliances are UL 464, UL 1971, UL 1638 listed for use with fire protective systems and are warranted for two years from date of purchase.

**Up to
104
dBA**



GEH24



GES24



GEC24

Standard Features

- Prewire Entire System, Then Install Your Signals
- Ease of Supervision Testing (Super Slide™)
- True Evacuation Tone
- Jumper Selection for High or Low dBA
- Jumper Selection for High or Low Frequency
- Jumper for Temporal 3
- Tamperproof Re-entrant Grill
- Wide Voltage Range 20-31 VDC or FWR
- Separate Horn and Strobe Functions
- Synchronize Strobe and/or Horn by

- Using the AVS-44 Control Module
- Widest Range of Candela Available
- Silence Horn While Strobes Remain Flashing
- Lower Installation and Operating Costs
- Input Terminals 12 to 18 AWG
- Rugged Die Cast Metal Mounting Bracket
- Available in Red or Off-White
- Surface Mount with the GSB (Gentex Surface Mount Box)
- 15/75, 75 and 110 Candela Strobe Meets or Exceeds ADA 4.28.3 Requirements

Approvals



This symbol on the product's nameplate means it is Listed by UNDERWRITERS LABORATORIES, INC.

- Americans with Disabilities Act (ADA 4.28.3)
- BFP (City of Chicago)
- BS+A/MEA #285-91-E - XV
- CSFM 7135-0569:122 (GES)
7125-0569:123 (GEC)
- FM Approved
- NFPA 72
- UL 464, UL 1971, UL 1638

Available Models

Model Number	Nominal Voltage (operates from 20-31 VDC-20-10%)	Light Effective Intensity in Candela	Horn Current	STROBE RATED CURRENT @ 24 VDC			In Anechoic Room dBA @ 10 Ft.
				Average	Start-Up* (less than 5ms)	Peak	
GEH24	24 VDC	—	21mA	—	—	—	100
GES24-15	24 VDC	15	—	46mA	186mA	125mA	—
GES24-15/75	24 VDC	15 (UL 1971) 75 (UL 1638)	—	57mA	184mA	190mA	—
GES24-30	24 VDC	30	—	57mA	184mA	190mA	—
GES24-60	24 VDC	60	—	82mA	312mA	219mA	—
GES24-75	24 VDC	75	—	89mA	310mA	226mA	—
GES24-110	24 VDC	110	—	102mA	313mA	250mA	—
GEC24-15	24 VDC	15	21mA	46mA	186mA	125mA	100
GEC24-15/75	24 VDC	15 (UL 1971) 75 (UL 1638)	21mA	57mA	184mA	190mA	100
GEC24-30	24 VDC	30	21mA	57mA	184mA	190mA	100
GEC24-60	24 VDC	60	21mA	82mA	312mA	219mA	100
GEC24-75	24 VDC	75	21mA	89mA	310mA	226mA	100
GEC24-110	24 VDC	110	21mA	102mA	313mA	250mA	100

* Most control panels will ignore start-up current due to its short duration, therefore it should not limit the number of units capable of being connected to a power supply. Start-up current occurs only upon initial activation.

Operating temperature
32° to 120°F

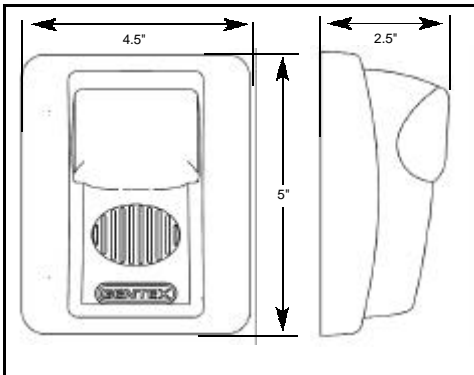
0° to 49°C

WHEN PLACING AN ORDER: add the following to the end of the model number:

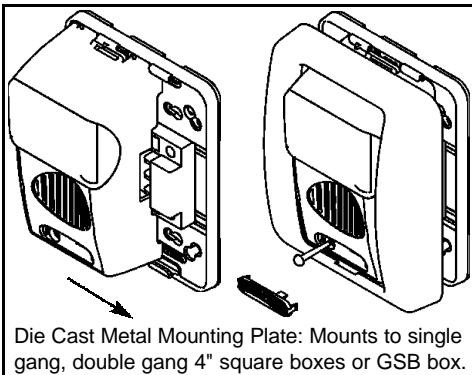
"W" = Wall mount and
"P" = Plain (no lettering)

"R" = Red faceplate
"W" = Off-White faceplate

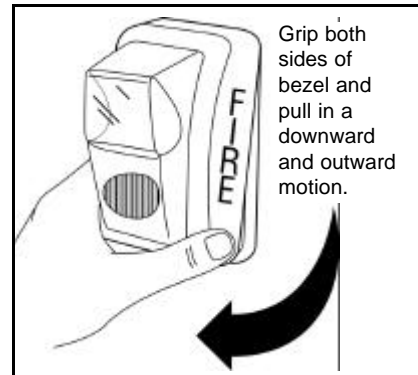
Dimensions



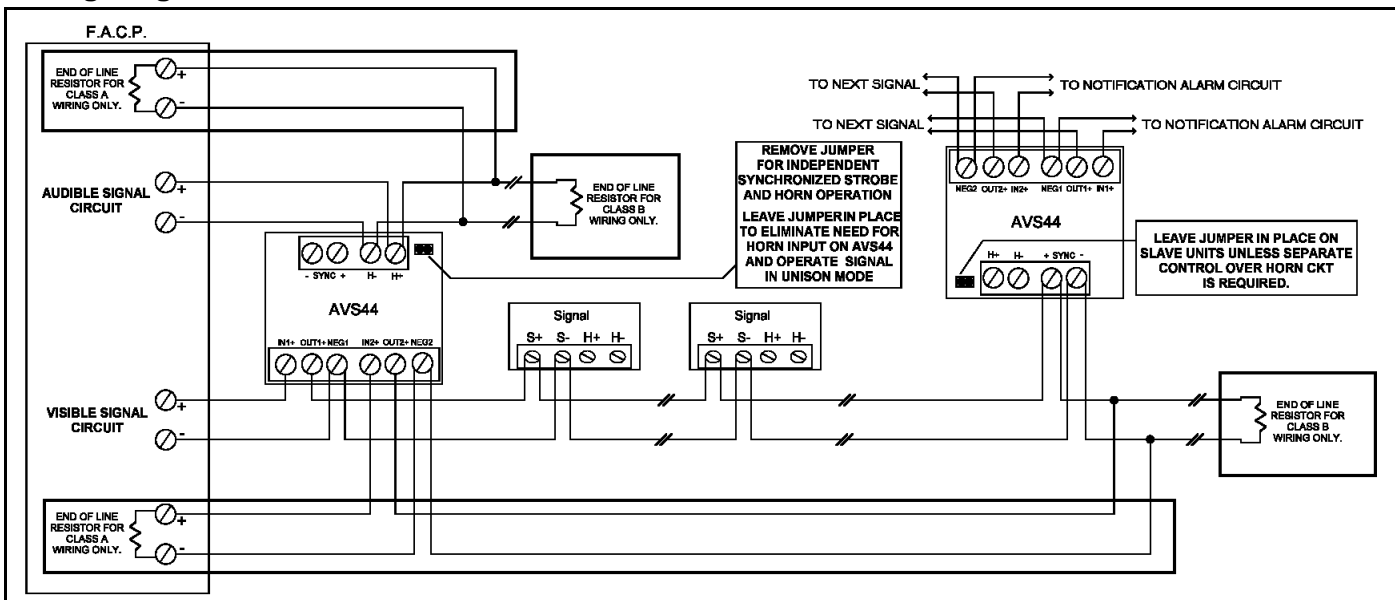
Mounting Super Slide™



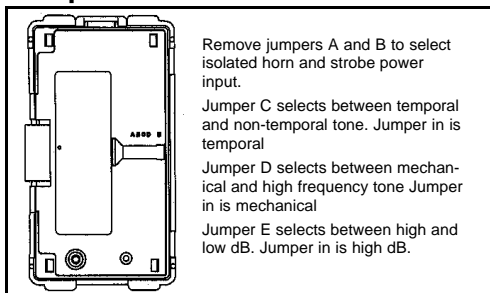
Removing Bezel



Wiring Diagrams GE Series



Jumper Locations



24 units per carton
 27 pounds per carton

Architect & Engineering Specifications

The audible and/or visible signal shall be Gentex GE Series or approved equal and shall be listed by Underwriters Laboratories Inc. per UL 1971, UL 1638 and/or UL 464. The notification appliance shall also be listed with the California State Fire Marshall (CSFM) and the Bureau of Standards and Appeals (NYC).

The notification appliance (combination audible/visible and audible units only) shall produce a peak sound output of 100dBa or greater as measured in an anechoic chamber. The signaling appliance shall also have the capability to silence the audible signal while leaving the visible signal energized with the use of a single pair of power wires. Additionally, the user shall be able to select either continuous or temporal tone output with the temporal signal having the ability to be synchronized.

The audible/visible and visible signaling appliance shall also maintain a minimum flash rate of 1Hz or greater regardless of power input voltage. The appliance shall also be capable of meeting the candela requirements of the ADA (75Cd) for the combination listed (UL 1971/UL 1638) listed models. The appliance shall have an operating current of 57mA or less at 24 VDC for the 15/75Cd for the strobe circuit.

The appliance shall be polarized to allow for electrical supervision of the system wiring. The unit shall be provided with a mounting bracket with terminals with barriers for input/output wiring and be able to mount to a single gang or double gang box or double workbox without the use of an adapter plate. The unit shall have an input voltage range of 20-31 volts with either direct current of full wave rectified power.

The appliance shall be capable of test supervision without disconnecting wires. Also the appliance shall be capable of mounting to a surface back box.