

Commander Series Low Current Strobe and Horn Strobe

Applications

The Commander Series is a low profile strobe or horn/strobe combination that offers dependable audible and visual alarms and the lowest current available.

The HS models are easily field changeable from temporal 3 to a continuous tone by simply removing a jumper plug. The HS models are shipped from the factory in the temporal alarm mode.

The Commander Series comes standard with the 4" mounting plate. Single gang plates are available as an accessory item.

The Commander Series has a minimal operating current and has a minimum flash rate of 1Hz regardless of input voltage.

Commander Series appliances are UL 464/1971 listed for use with fire protective systems and are warranted for two years from the date of purchase.

**Even Lower
In-Rush Currents**



HS24



ST24

Standard Features

- Lower Installation Costs — Hang More Signals Per Power Source
- Lower Operating Costs — 15/75 Candela Strobe Draws Only 57mA at 24 VDC
- Easier Installation — Sleek Low Profile
- Tamperproof Re-Entrant Grill
- Separate Horn and Strobe Capabilities for Field Modifying the Signal to Meet Your Specific Applications
- Wide Voltage Range
- Input Terminals 12 to 18 AWG
- Temporal 3 or Continuous Tone
- Synchronize Strobe and/or Horn by Using the Gentex AVS-44 Control Module
- Silence Horn While Strobes Remain Energized Using Only 2 Power Wires When Used With the Gentex AVS-44 Control Module
- Field Selectable 2 or 4 Wire Operation — Shipped from the Factory as 2 Wire
- Available in Red or Off-White
- 15/75, 75 and 110 Candela Strobe Meets or Exceeds ADA 4.28.3 Requirements
- UL 464, UL 1971 and UL 1638 Listed

Approvals



This symbol on the product's nameplate means it is Listed by UNDERWRITERS LABORATORIES, INC.

- Americans with Disabilities Act (ADA 4.28.3)
- BFP (City of Chicago)
- BS+A/MEA #285-91-E
- CSFM 7135-0569: 122 (HS)
7125-0569: 123 (ST)
- NFPA 72
- UL 464, UL 1971, UL 1638

Available Models

Model Number	Nominal Voltage (operates from 20-31 VDC-20+10%)	Light Effective Intensity in Candela	Horn Current	STROBE RATED CURRENT @ 24 VDC			In Anechoic Room dBA @ 10 Ft.	In UL Reverberant Room dBA @ 10 Ft. Per UL 464
				Nominal	Start-Up* (less than 5mS)	Peak		
ST24-15	24 VDC	15	—	45mA	186mA	134mA	—	—
ST24-15/75	24 VDC	15 (UL 1971) 75 (UL 1638)	—	57mA	185mA	142mA	—	—
ST24-30	24 VDC	30	—	57mA	185mA	142mA	—	—
ST24-60	24 VDC	60	—	84mA	292mA	218mA	—	—
ST24-75	24 VDC	75	—	86mA	296mA	241mA	—	—
ST24-110	24 VDC	110	—	110mA	297mA	245mA	—	—
HS24-15	24 VDC	15	30mA	45mA	186mA	134mA	92	85
HS24-15/75	24 VDC	15 (UL 1971) 75 (UL 1638)	30mA	57mA	185mA	142mA	92	85
HS24-30	24 VDC	30	30mA	57mA	185mA	142mA	92	85
HS24-60	24 VDC	60	30mA	84mA	292mA	218mA	92	85
HS24-75	24 VDC	75	30mA	86mA	296mA	241mA	92	85
HS24-110	24 VDC	110	30mA	110mA	297mA	245mA	92	85

* Most control panels will ignore start-up current due to its short duration, therefore it should not limit the number of units capable of being connected to a power supply. Start-up current occurs only upon initial activation.

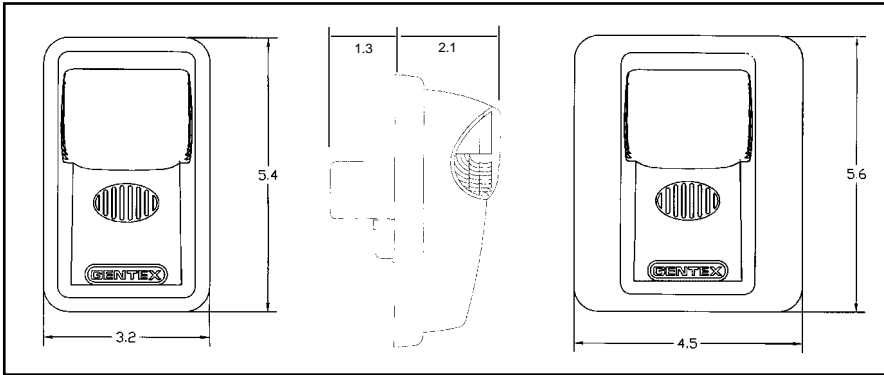
Operating temperature
32° to 120°F 0° to 49°C

WHEN PLACING AN ORDER: add the following to the end of the model number:

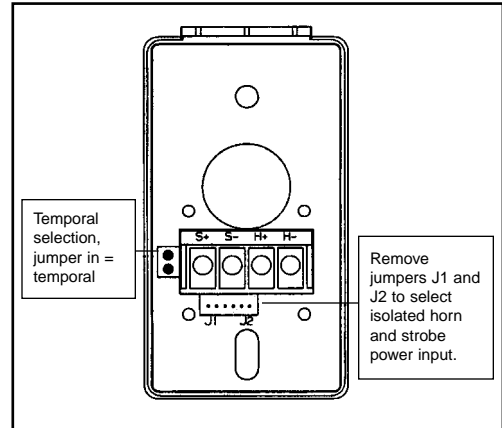
"W" = Wall mount and
"P" = Plain (no lettering)

"R" = Red faceplate
"W" = Off-White faceplate

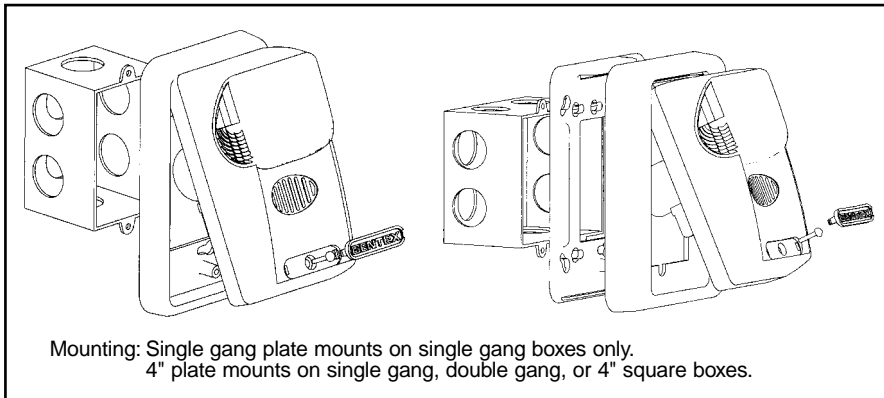
Dimensions



Jumper Locations



Mounting



Architect & Engineering Specifications

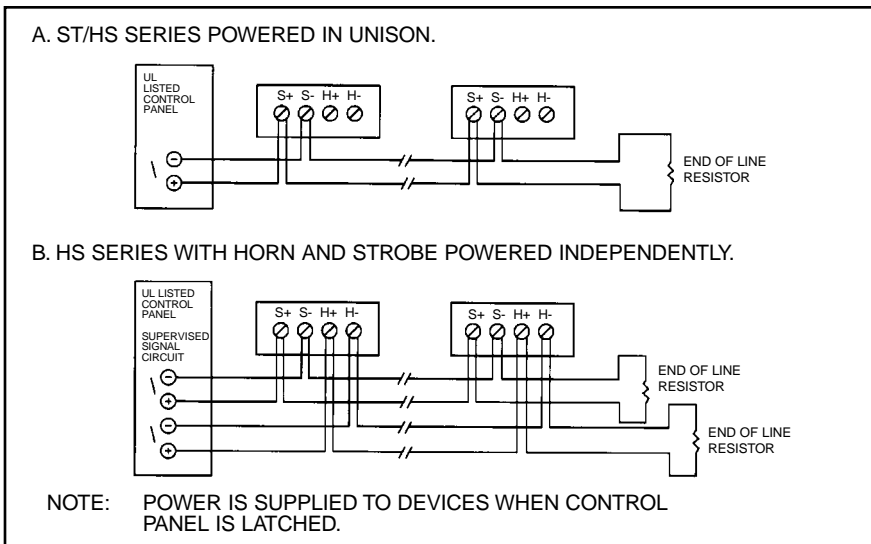
The visible and audible/visible signal shall be Gentex model ST or HS or approved equal and shall be listed by Underwriters Laboratories Inc. per UL 1971 and/or UL 1638 for the ST and also UL 464 for the HS. The notification appliance shall also be listed with the California State Fire Marshall (CSFM) and the Bureau of Standards and Appeals (NYC).

The notification appliance (combination audible/visible units only) shall produce a peak sound output of 90dBA or greater as measured in an anechoic chamber. The signaling appliance shall also have the capability to silence the audible signal while leaving the visible signal energized with the use of a single pair of power wires. Additionally, the user shall be able to select either continuous or temporal tone output with the temporal signal having the ability to be synchronized.

The visible signaling appliance shall also maintain a minimum flash rate of 1Hz or greater regardless of power input voltage. The appliance shall also be capable of meeting the candela requirements of the ADA (75Cd) for the combination listed (UL 1971/UL 1638) listed models. The appliance shall have an operating current of 57mA or less at 24 VDC for the 15/75Cd.

The appliance shall be polarized to allow for electrical supervision of the system wiring. The unit shall be provided with terminals with barriers for input/output wiring and be able to mount to a single gang or double gang box or double workbox with the use of an adapter plate. The unit shall have an input voltage range of 20-31 volts with either direct current of full wave rectified power.

Wiring Diagram ST/HS Series



24 units per carton
11 pounds per carton