

4" Square Baffle (SPKE4) 8" Round Baffle (SPKE8)

1/8-4W SERIES

Applications

The Gentex SPKE (1/8-4W) Series of speakers and strobe speakers are designed to meet code requirements for audio, visual and voice communications.

The SPKE Series are quality speaker products that offer you both dependable evacuation signaling and visual alarms, or a combination of both.

The SPKE Series provides you a 25 or

70.7 VRMs speaker with field selectable power taps of 1/8W, 1/4W, 1/2W, 1W, 2W or 4W. The Z-Series synchronized strobes require the use of the ZMS4 module.

The SPKE devices are UL 1480 listed for use with fire protective signaling systems and are warranted for 2 years from the date of purchase.



SPKE4R



SPKE4-1575WR



SPKE8W



SPKE8-1575CW

Standard Features

- Xenon Strobe Maintains Constant Flash Rate (1Hz) Regardless of Input Voltage
- High dB Output
- Frequency Range 400-4000Hz
- Screw Terminals, Separate In/Out Wiring (12 Gauge)
- Field Selectable Power Taps: 1/8W, 1/4W, 1/2W, 1W, 2W, 4W
- Speaker Voltage 25 or 70.7 VRMs Standard, Field Selectable
- To Synchronize Use the Z Model with the Gentex ZMS4 Control Module.
- Flush Wall or Ceiling Mounting to a Standard 4" Square x 2-1/8" Backbox With a 1-1/2" Extension Ring
- Both Round and Square Speakers Mount to All Electrical Boxes With Extender Ring
- Attractive Fire Alarm Red or Off-White Textured Painted Metal Finish
- UL Listed for Fire Protection Services Per UL 1480, Strobe is Listed UL 1971 and UL 1638
- Models 15/75, 30/75 and 110 Candela Meet or Exceed Requirements of 4.28.3 of the ADA

Available Models

Model Number	Nominal Voltage	Light Effective Intensity in Candela	STROBE RATED CURRENT @ 24 VDC		
			Nominal	Start-Up	Peak
SPKE4	25 or 70.7 VRMs	—	—	—	—
SPKE8	25 or 70.7 VRMs	—	—	—	—
SPKE4-15	24 VDC	15	78mA	114mA	84mA
SPKE8-15	24 VDC	15	78mA	114mA	84mA
SPKE4-15/75-W	24 VDC	15 (UL 1971) 75 (UL 1638)	93mA	130mA	110mA
SPKE8-15/75-W	24 VDC	15 (UL 1971) 75 (UL 1638)	93mA	130mA	110mA
SPKE4-15/75-C	24 VDC	15 (UL 1971) 75 (UL 1638)	115mA	140mA	120mA
SPKE8-15/75-C	24 VDC	15 (UL 1971) 75 (UL 1638)	120mA	140mA	120mA
SPKE4-15/75-Z	24 VDC	15 (UL 1971) 75 (UL 1638)	130mA	490mA	680mA
SPKE8-15/75-Z	24 VDC	15 (UL 1971) 75 (UL 1638)	130mA	490mA	680mA
SPKE4-30	24 VDC	30	93mA	130mA	110mA
SPKE8-30	24 VDC	30	93mA	130mA	110mA
SPKE4-30/75	24 VDC	30 (UL 1971) 75 (UL 1638)	142mA	120mA	160mA
SPKE8-30/75	24 VDC	30 (UL 1971) 75 (UL 1638)	142mA	120mA	160mA
SPKE4-60	24 VDC	60	115mA	140mA	120mA
SPKE8-60	24 VDC	60	115mA	140mA	120mA
SPKE4-110	24 VDC	110	220mA	148mA	240mA
SPKE8-110	24 VDC	110	220mA	148mA	240mA

Note: All 24 VDC models operate from 21-30 VDC -20 +10%

Operating temperature 32° to 120°F 0° to 49°C

Approvals



This symbol on the product's nameplate means it is Listed by UNDERWRITERS LABORATORIES, INC.

- Americans with Disabilities Act (ADA 4.28.3)
- BS & A/MEA #285-91-E
- NFPA 72
- CSFM #7320-569:116
- UL 1971/1638
- UL 1480

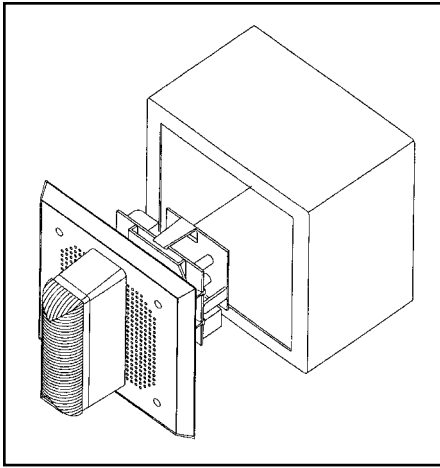
WHEN PLACING AN ORDER:

add the following to the end of the model number:

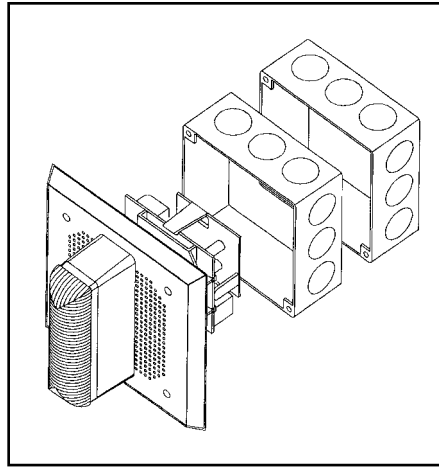
- “W” = Wall mount
- “R” = Red faceplate
- “P” = Plain (no lettering)
- “W” = Off-White faceplate
- “C” = Ceiling mount (15/75 or 30/75 models)
- “Z” = Synchronized strobe (15/75 wall models only)

Mounting Diagrams

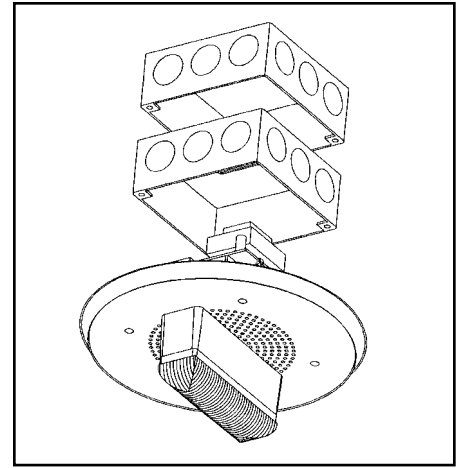
Minimal dimension for SBB backbox 3.5" approx.



A. Surface
SPKE4 SERIES

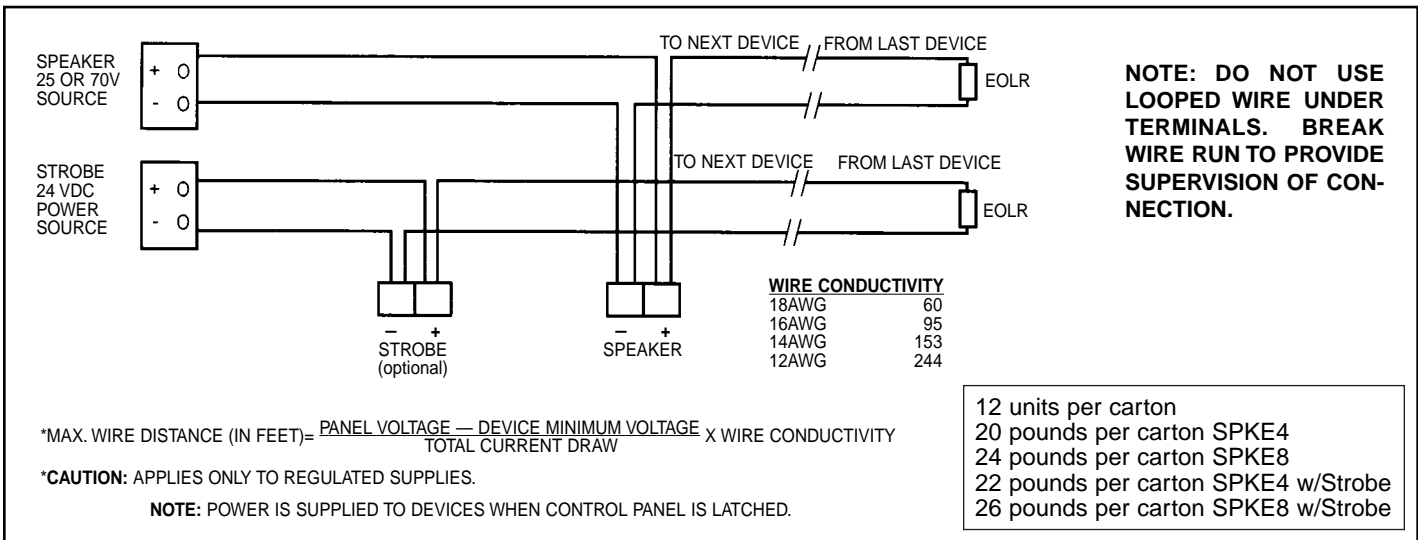


B. FLUSH (WALL)
SPKE4 SERIES
Standard 4" square x 2-1/8" backbox with 1-1/2" extension ring



C. FLUSH (CEILING)
SPKE8 SERIES
Standard 4" square x 2-1/8" backbox with 1-1/2" extension ring

Wiring Diagrams



12 units per carton
20 pounds per carton SPKE4
24 pounds per carton SPKE8
22 pounds per carton SPKE4 w/Strobe
26 pounds per carton SPKE8 w/Strobe

Architect & Engineering Specifications

The fire alarm speaker shall be Gentex SPKE _____ or equivalent. The speaker shall be capable of producing alarm tones or voice on all 25 or 70 VRMs audio systems. The speaker shall provide incremental tap settings of 1/8, 1/4, 1/2, 1, 2 or 4 watts. Minimum dB ratings at 1/4 watt shall be 85 and at 4 watts 92dBA. Tap settings shall be adjustable with field selectable jumper pins. The speaker shall also have an

optional visual signal capability.

The visual signal shall have a 1Hz flash rate regardless of input voltage.

All field wiring connections shall be made via separate in-out terminal connections and the speaker or speaker strobe shall be UL, CSFM, BS&A and BFP-listed and comply with all local, state and federal fire alarm codes/standards.

Speaker dBA @ 10 ft.

Input Watts	UL Typical dB
1/8	78
1/4	81
1/2	84
1	87
2	90
4	92