

# GENTEX HG/SHG

## 4" Electronic Horn Series New Louder Horn & Temporal Feature

## SERIES

### Applications

4" low frequency electronic horn and horn/strobe that meets code requirements for supervised fire alarm systems for the hearing impaired and ADA.

The HG/SHG Series are quality electronic signaling appliances that offer you both dependable evacuation signals and visual alarms or a combination of both by simple terminal wiring. The SHG Series can also be wired to have independent operation of both horn and strobes. (See wiring diagrams.) This can be simply done by removing two jumper plugs located on the circuit board. (See installation manual for details.)

The HG/SHG Series are easily field changeable from a Temporal 3 alarm signal to a continuous low frequency alarm signal

by simply removing a jumper plug. All units are shipped from the factory in the Temporal 3 alarm mode. The Z-Series synchronized strobes require the use of the AVS44 module. (Use the ZMS4 modules for units manufactured before 2/16/98.)

The HG/SHG Series are designed to be used for both new construction or retrofit projects by easily mounting to 4" electrical boxes or 2 gang old work boxes. (See back for details.)

All HG/SHG appliances are UL 464/1971 listed for use with fire protective systems and are warranted for 2 years from the date of purchase.



HG

SHG

### Approvals



This symbol on the product's nameplate means it is Listed by UNDERWRITERS LABORATORIES, INC.

- Americans with Disabilities Act (ADA 4.28.3)
- BFP (City of Chicago)
- BSAMEA #412-91-E
- CSFM #7135-569:115
- UL
- NFPA 72
- UL 464

### Standard Features

- Low Frequency Output
- Low Current Consumption 30mA @ Nominal Voltage (HG124)
- Screw Terminals, Separate In/Out Wiring Option for Both Horn and Strobe
- Silence Horns While Strobes Remain Energized Using Only 2 Power Wires When Used with the AVS44 Control Module

- Temporal 3 or Continuous Tone
- Wide Voltage Range
- To Synchronize the Strobe Use the Z Model with the Gentex AVS44 Control Module
- Textured Finish High Impact Plastic Faceplate
- Wide Variety of Mounting Options for New Construction and Retrofit Applications
- Supplied with Beauty Plugs to Accommodate a Variety of Installations.

- Xenon Strobe Maintains Constant Flash Rate (1Hz) Regardless of Input Voltage
- Flush or Semi-Flush Mounting Without the Need of a Trim Plate
- 15/75, 30/75 and 110 Candela Strobe Options Meet or Exceed the Requirements of ADA 4.28.3
- UL 464/UL 1971 Listed for Fire Protective Service/Signal for Hearing Impaired

### Available Models

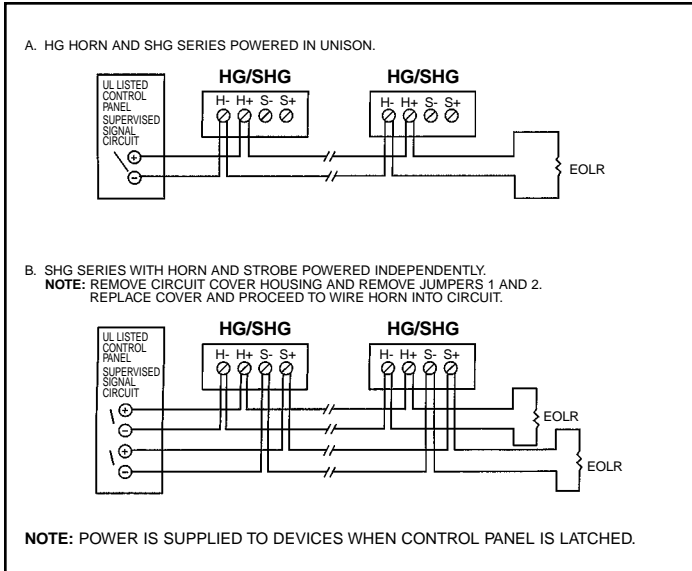
Model Number	Nominal Voltage	Light Effective Intensity in Candela	Horn Current	STROBE RATED CURRENT			In Anechoic Room peak dBA @ 10 Ft.	In UL Reverberant Room peak dBA @ 10 Ft. Per UL 464
				Nominal	Start-Up	Peak		
HG124	12/24 VDC	—	30mA	—	—	—	100	90
SHG12-15	12 VDC	15	30mA	111mA	*5000mA	170mA	85	79
SHG12-15/75	12 VDC	15 (UL 1971) 75 (UL 1638)	30mA	198mA	*5200mA	330mA	85	79
SHG24-15	24 VDC	15	30mA	78mA	114mA	84mA	95	90
SHG24-15/75-W	24 VDC	15 (UL 1971) 75 (UL 1638)	30mA	93mA	130mA	110mA	95	90
SHG24-15/75-C	24 VDC	15 (UL 1971) 75 (UL 1638)	30mA	115mA	140mA	120mA	95	90
SHG24-15/75-Z	24 VDC	15 (UL 1971) 75 (UL 1638)	30mA	130mA	490mA	680mA	95	90
SHG24-30	24 VDC	30	30mA	93mA	130mA	110mA	95	90
SHG24-30/75	24 VDC	30 (UL 1971) 75 (UL 1638)	30mA	142mA	120mA	160mA	95	90
SHG24-60	24 VDC	60	30mA	115mA	140mA	120mA	95	90
SHG24-110	24 VDC	110	30mA	220mA	148mA	240mA	95	90

Note: All 12 VDC models operate from 10-16 VDC \*start-up current less than 0.2uS  
All 24 VDC models operate from 21-30 VDC -20 +10%

Operating temperature  
32° to 120°F 0° to 49°C

**WHEN PLACING AN ORDER:** add the following to the end of the model number: "W" = Wall mount "P" = Plain (no lettering)  
"C" = Ceiling mount (15/75 and 30/75 models) "R" = Red faceplate "W" = Off-White faceplate "Z" = Synchronized strobe (15/75 wall models only)

## Wiring Diagrams



## Architect & Engineering Specifications

The audible or audible/visual signal shall be Gentex model HG or SHG or approved equal, and shall be listed by Underwriters Laboratories per UL 464, and when combined with the strobe option the strobe shall also be listed per UL 1971. The notification appliance shall also be listed with the California State Fire Marshal (CSFM) and the Bureau of Standards and Appeals (NYC).

The notification appliance shall produce a peak sound output of 90dBA or greater as measured in an anechoic chamber.

The maximum current consumption at 24 VDC for the audible only shall not exceed 30 milliamps.

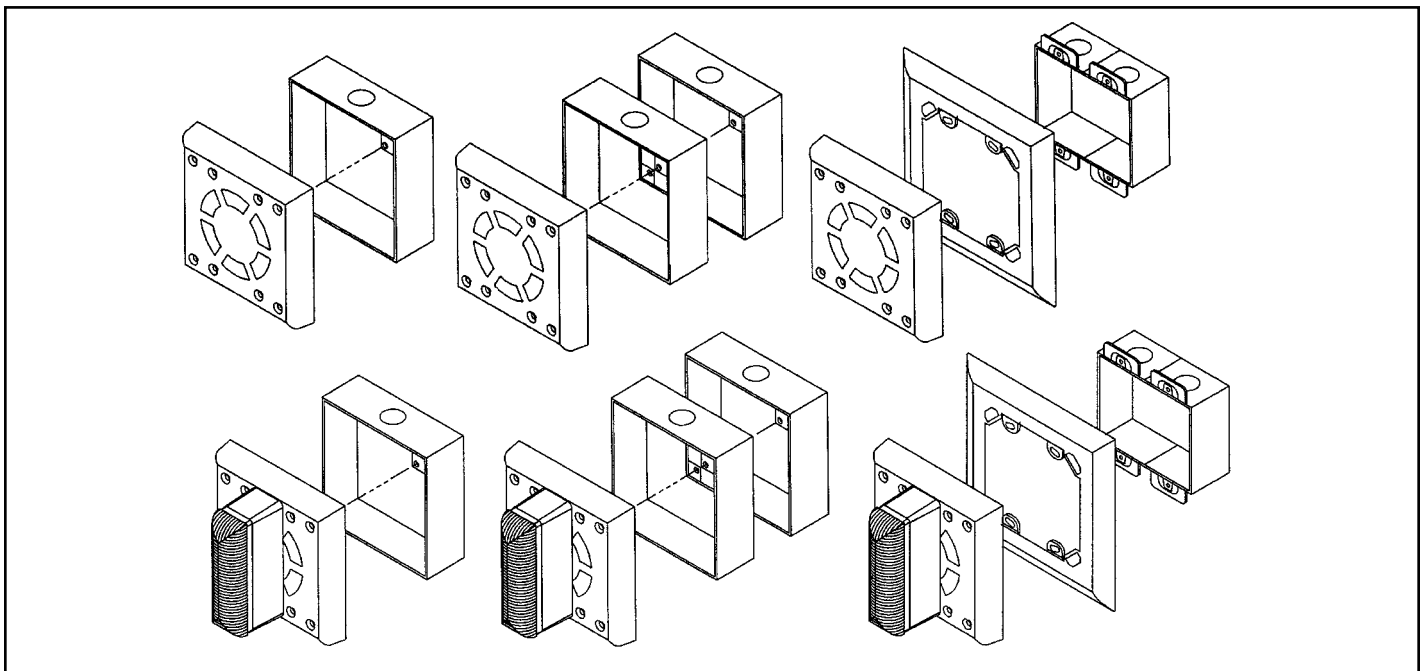
The visual signal shall have a flash rate of 1Hz regardless of input voltage.

The notification appliance shall be provided with screw terminals for in and out field wiring and the strobe shall be capable of operating independently after the audible has been silenced.

The notification appliance shall be capable of mounting to a 4" square back box and a 2 gang switch box of a minimum of 1 1/2" in depth.

24 units per carton  
11 pounds per carton HG  
16 pounds per carton SHG

Mounting: 4" square boxes 1 1/2" deep minimum  
4" square metal/non-metallic switch/outlet boxes 1 1/2" deep minimum  
Gangable 2 gang switch/masonry outlet boxes 1 1/2" deep minimum



NOTE: Supplied with beauty plugs to accommodate a variety of installations.

# GENTEX CORPORATION

Fire Protection Products: [www.gentex.com](http://www.gentex.com)  
10985 Chicago Dr., Box 310, Zeeland, MI 49464  
616/392-7195 1-800/436-8391 FAX: 616/392-4219

Gentex corporation reserves the right to make changes to the product data sheets at their discretion.



Printed on Recycled Paper

GX120491-22