

## UL 1971, Constant Flash Rate, Low Current, with Terminal Blocks

### Meets Code Requirements for Supervised Systems

The GXS Series are high quality visual signaling appliances that offer a variety of candela options.

All models are 1Hz and listed for both filtered and unfiltered power. GXS Series are provided with a two position terminal block. (12-18AWG)

The Z-Series synchronized strobes require the use of the ZMS4 module. All 24 VDC appliances have a minimal peak

operating current normally less than a 17 percent increase from nominal operating current and minimal start-up current.

The GXS Series with the 15/75, 30/75 and 110 Candela models meet or exceed the requirements of 4.28.3 of the ADA. All GXS appliances are UL 464/1971 listed for use with fire protective systems and are warranted for 2 years from the date of purchase.



**GXS**  
Remote Visual Signal with  
Universal Mounting Plate

### Standard Features

- Low Current Consumption
- Terminal Blocks
- Flash Rate 1Hz
- Textured Finish High Impact Plastic Faceplate, Available in Fire Alarm Red or Off-White
- Wide Variety of Mounting Options for New Construction and Retrofit Applications
- 15/75, 30/75 and 110 Candela Strobe Options Meet or Exceed the Requirements of ADA 4.28.3
- UL 464/UL 1971 Listed for Fire Protective Service/Signal for Hearing Impaired

### Approvals



This symbol on the product's nameplate means it is Listed by UNDERWRITERS LABORATORIES, INC.

- Americans with Disabilities Act (ADA 4.28.3)
- BFP (City of Chicago)
- BS+A/MEA #285-91-E
- Listing 7125-569:114
- UL 464, UL 1971, UL 1638
- ULC

### Available Models

Model Number	Nominal Voltage	Light Effective Intensity in Candela	STROBE RATED CURRENT		
			Nominal Operating Voltage	Start-Up	Peak
GXS-2-15	12 VDC	15	111mA	*5000mA	170mA
GXS-2-15/75	12 VDC	15 (UL 1971) 75 (UL 1638)	198mA	*5200mA	330mA
GXS-4-15	24 VDC	15	78mA	114mA	84mA
GXS-4-15/75-W	24 VDC	15 (UL 1971) 75 (UL 1638)	93mA	130mA	110mA
GXS-4-15/75-C	24 VDC	15 (UL 1971) 75 (UL 1638)	115mA	140mA	120mA
GXS-4-15/75-Z	24 VDC	15 (UL 1971) 75 (UL 1638)	130mA	490mA	680mA
GXS-4-30	24 VDC	30	93mA	130mA	110mA
GXS-4-30/75	24 VDC	30 (UL 1971) 75 (UL 1638)	142mA	120mA	160mA
GXS-4-60	24 VDC	60	115mA	140mA	120mA
GXS-4-110	24 VDC	110	220mA	148mA	240mA
GXS-120-177	120 VAC	177	N/A	N/A	N/A

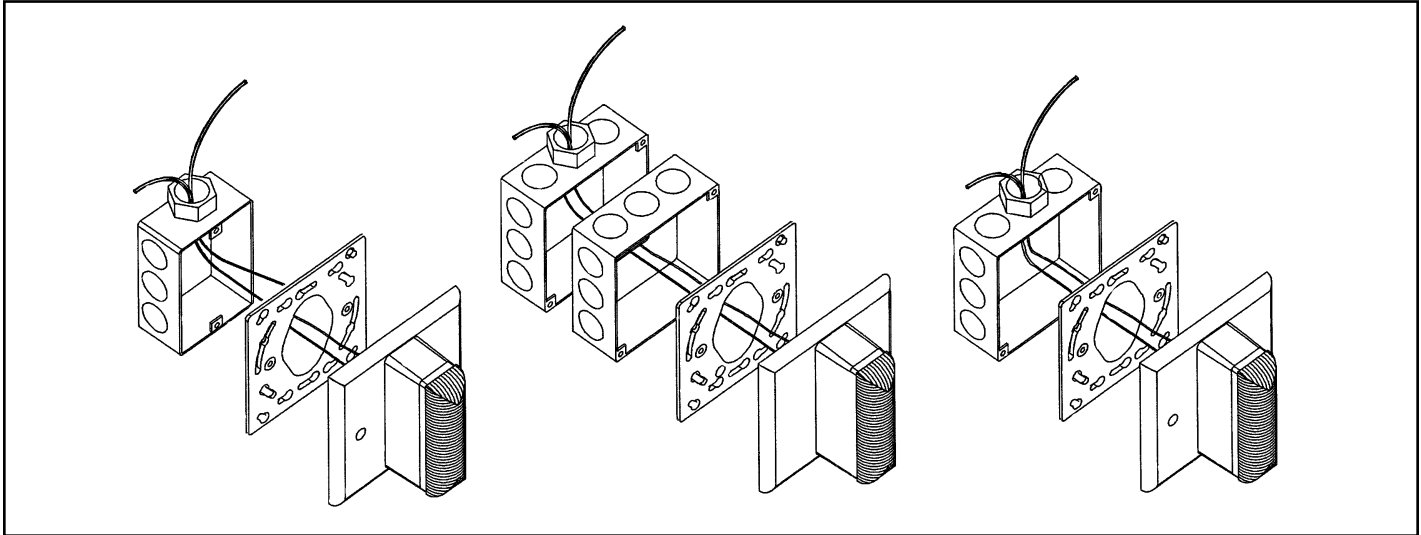
Note: All 12 VDC models operate from 10-16 VDC \*start-up current less than 0.2uS  
All 24 VDC models operate from 21-30 VDC -20 +10%

Operating temperature 32° to 120°F 0° to 49°C

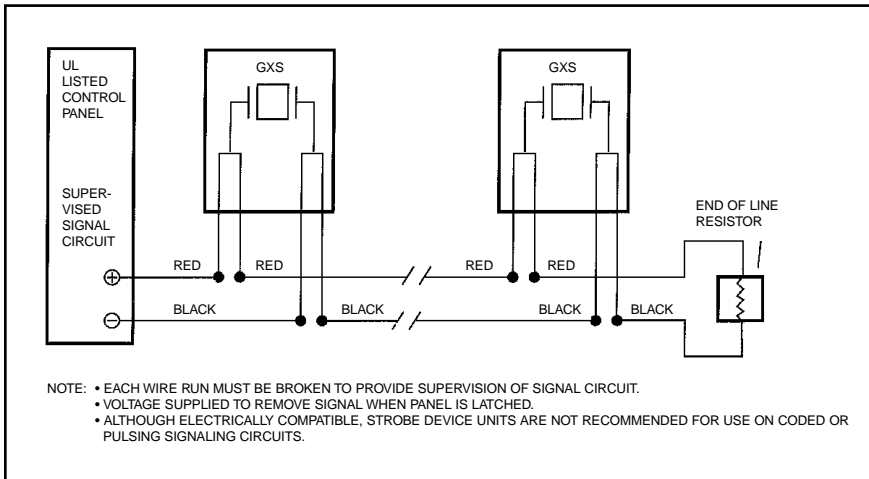
**WHEN PLACING AN ORDER:** add the following to the end of the model number:

- "W" = Wall mount and "R" = Red faceplate
- "P" = Plain (no lettering) "W" = Off-White faceplate
- "C" = Ceiling mount (15/75 and 177cd) "Z" = Synchronized strobe (15/75 wall models only)

## Mounting Rough-in Box and Run Wiring

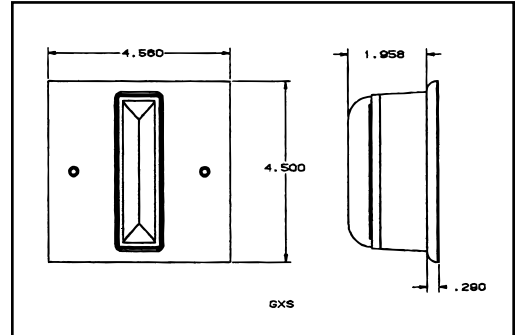


## Wiring Diagram GXS



24 units per carton  
11 pounds per carton

## Dimensions GXS



## Architect & Engineering Specifications

The visual signal shall be the Gentex Model GXS or approved equal. The visual appliance shall be listed by Underwriters Laboratories for use with fire protective signaling systems for the hearing impaired (UL 1971) and be UL-listed per UL 1638.

The visual appliance shall be installed in accordance with the appropriate provisions of the Uniform Building Code, National Fire Protection Association, American National Standards, Southern Building Codes or other applicable state and local requirements.

The visual signal shall be capable of mounting to a single gang, double gang, double work box or 4" square back box.

The visual signal shall have a voltage range of 21-30 VDC.

The visual signal shall have a constant flash rate of 1Hz regardless of listed input voltage.

# GENTEX CORPORATION

Fire Protection Products: [www.gentex.com](http://www.gentex.com)

10985 Chicago Dr., Box 310, Zeeland, MI 49464

616/392-7195 1-800/436-8391 FAX: 616/392-4219

Gentex corporation reserves the right to make changes to the product data sheets at their discretion.

